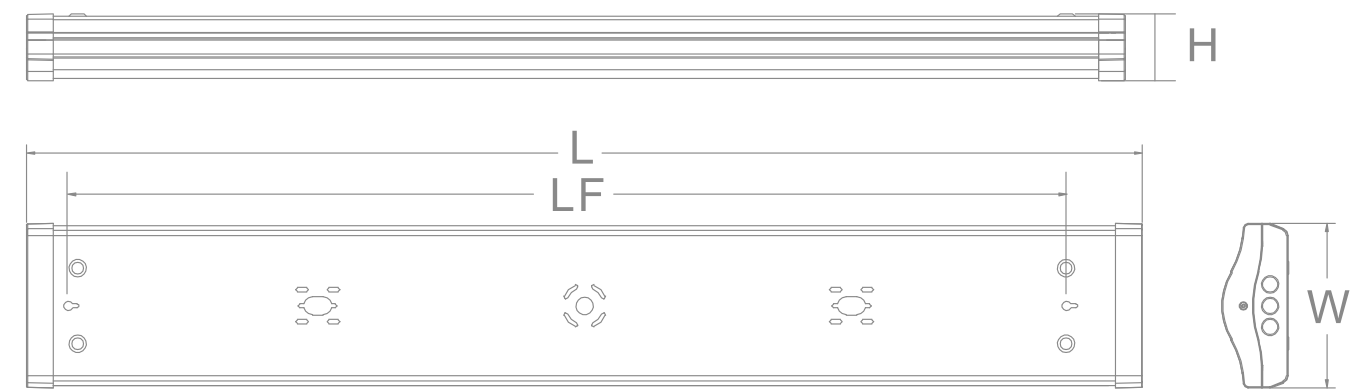
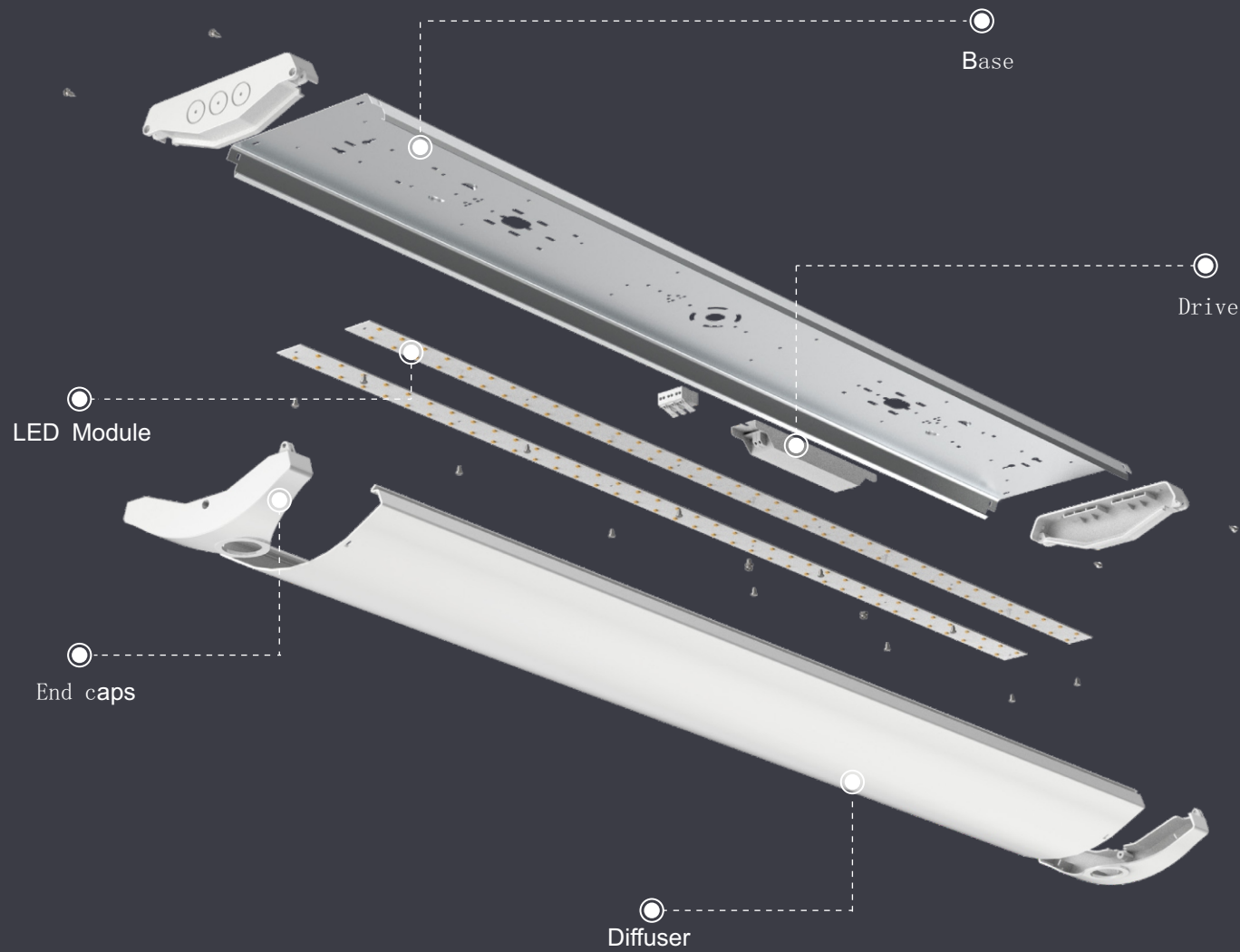


CL-BN SERIES

- Conduit entry points at both ends
- Suitable for central BESA mounting
- Steel body construction with powder coat finish
- Unique opal diffuser design for optimum performance and light distribution
- Polycarbonate end caps
- Instant light output with unlimited switching
- Flicker free LED driver built-in for increased visual acuity and comfort
- Option for emergency with Lithium Iron Phosphate Battery
- DALI and 1-10V dimming available



UGR<19



CL-BN SERIES

The high performance LED batten

CODE	SIZE	LED	Watte	L	W	H	LF
CL106BN	2ft	SMD2835	Single 10W / Twin 20W	600	185	80	406
CL112BN	4ft	SMD2835	Single 20W / Twin 40W	1200	185	80	1016
CL115BN	5ft	SMD2835	Single 30W / Twin 50W	1500	185	80	1320
CL118BN	6ft	SMD2835	Single 40W / Twin 60W	1800	185	80	1625