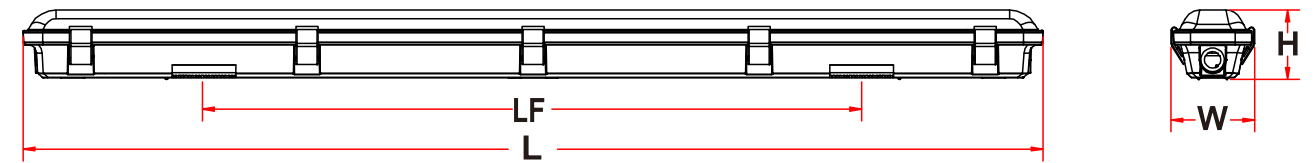
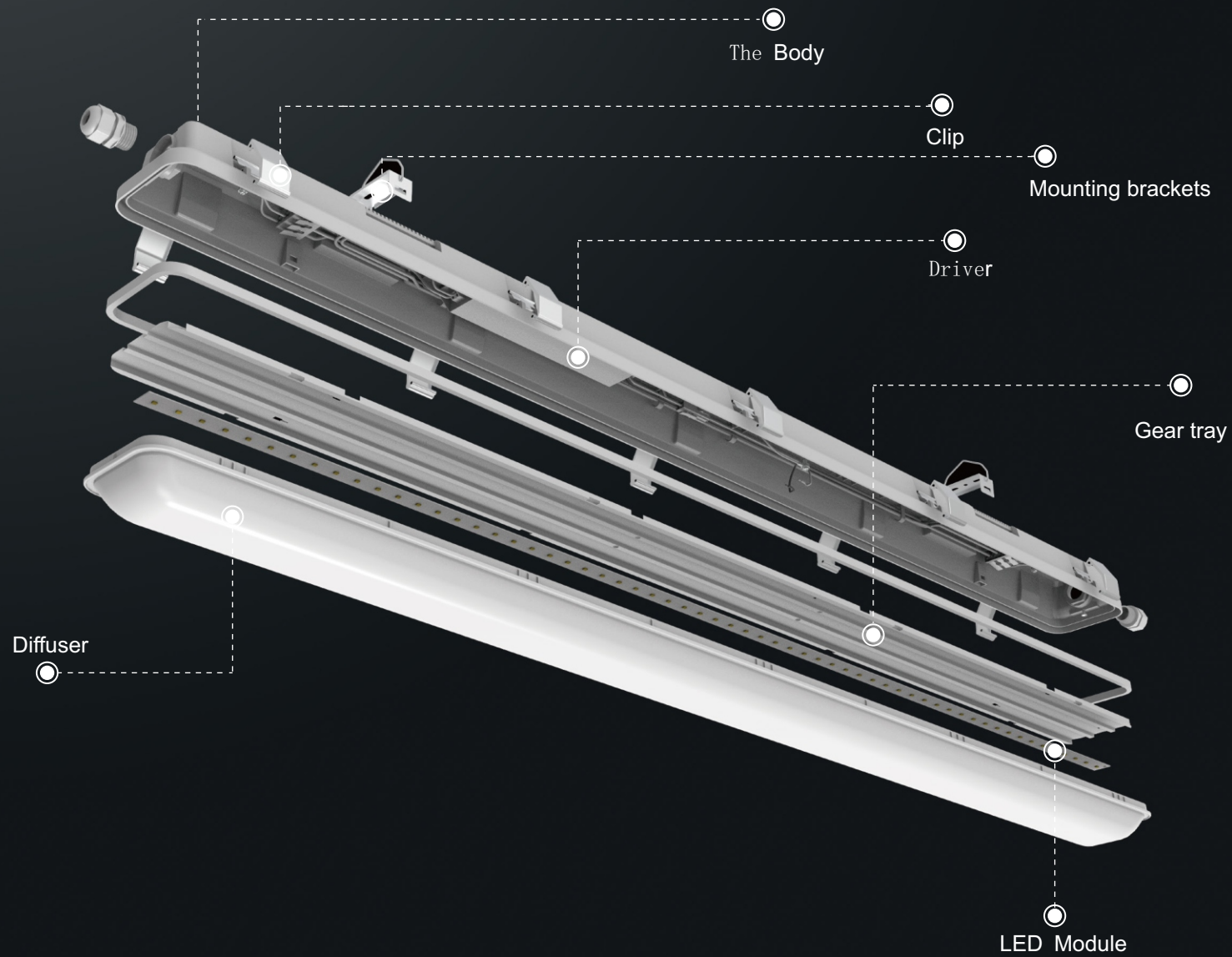


## CL-HL SERIES

- Opal diffuser for smooth light distribution
- Conduit entry points at both ends
- Internal microwave sensor options available
- Suitable for food preparation areas
- Includes mounting brackets and chain suspension clips as standard
- Instant light output with unlimited switching
- Flicker free LED driver built-in for increased visual acuity and comfort
- Option for emergency with Lithium Iron Phosphate Battery
- DALI and 1-10V dimming available



## CL-HL SERIES

The high performance LED batten

CODE	SIZE	LED	Watte	L	W	H	LF
CL106HL	2ft	SMD2835	Single 10W / Twin 20W	640	100	84	260
CL112HL	4ft	SMD2835	Single 20W / Twin 40W	1240	100	84	800
CL115HL	5ft	SMD2835	Single 30W / Twin 50W	1540	100	84	980
CL118HL	6ft	SMD2835	Single 40W / Twin 60W	1840	100	84	1280